

■ Mast Specifications of 5.0T/6.0T/7.0T Heavy Duty Diesel Forklift

2-Stage High-visibility Mast

| Mast Model | Max. Lift Height | Load Capacity        |      |      | Overall Mast Height |                        | Free lift height |               | Mast Angle |
|------------|------------------|----------------------|------|------|---------------------|------------------------|------------------|---------------|------------|
|            |                  | 5T                   | 6T   | 7T   | 5-7T                |                        | 5-7T             |               | 5-7T       |
|            |                  | At Load Center 500mm |      |      | Lowered             | Extended With backrest | Without backrest | with backrest | Front/Rear |
|            | Mm               | Kg                   | kg   | Kg   | Mm                  | Mm                     | Mm               | Mm            | °          |
| M250       | 2500             | 5000                 | 6000 | 7000 | 2250                | 3929                   | 150              | 150           | 6/12       |
| M270       | 2700             |                      |      |      | 2350                | 4129                   | 150              | 150           |            |
| M275       | 2750             |                      |      |      | 2375                | 4179                   | 150              | 150           |            |
| M300       | 3000             |                      |      |      | 2500                | 4429                   | 150              | 150           |            |
| M325       | 3250             |                      |      |      | 2625                | 4679                   | 150              | 150           |            |
| M330       | 3300             |                      |      |      | 2650                | 4729                   | 150              | 150           |            |
| M350       | 3500             |                      |      |      | 2750                | 4929                   | 150              | 150           |            |
| M375       | 3750             |                      |      |      | 2875                | 5179                   | 150              | 150           |            |
| M400       | 4000             |                      |      |      | 3050                | 5429                   | 150              | 150           |            |
| M425       | 4250             |                      |      |      | 3175                | 5679                   | 150              | 150           |            |
| M450       | 4500             |                      |      |      | 3300                | 5929                   | 150              | 150           |            |
| M475       | 4750             |                      |      |      | 4900                | 5900                   | 6800             | 3425          |            |
| M500       | 5000             | 4800                 | 5800 | 6800 | 3550                | 6429                   | 150              | 150           | 6/6        |
| M550       | 5500             | 4500                 | 5500 | 6400 | 3850                | 6929                   | 150              | 150           | 3/6        |
| M600       | 6000             | 4300                 | 5200 | 6100 | 4100                | 7429                   | 150              | 150           | 3/6        |

2-Stage Full Free Mast

| Mast Model | Max. Lift Height | Load Capacity        |      |      | Overall Mast Height |                        | Free lift height |               | Mast Angle |
|------------|------------------|----------------------|------|------|---------------------|------------------------|------------------|---------------|------------|
|            |                  | 5T                   | 6T   | 7T   | 5-7T                |                        | 5-7T             |               | 5-7T       |
|            |                  | At Load Center 500mm |      |      | Lowered             | Extended With backrest | Without backrest | with backrest | Front/Rear |
|            | Mm               | Kg                   | kg   | Kg   | Mm                  | Mm                     | Mm               | Mm            | °          |
| 2FFM250    | 2500             | 5000                 | 6000 | 7000 | 2195                | 3929                   | 1295             | 826           | 6/12       |
| 2FFM270    | 2700             |                      |      |      | 2310                | 4129                   | 1395             | 941           |            |
| 2FFM275    | 2750             |                      |      |      | 2335                | 4179                   | 1420             | 966           |            |
| 2FFM300    | 3000             |                      |      |      | 2460                | 4429                   | 1545             | 1091          |            |
| 2FFM325    | 3250             |                      |      |      | 2585                | 4679                   | 1670             | 1216          |            |
| 2FFM330    | 3300             |                      |      |      | 2610                | 4729                   | 1695             | 1241          |            |
| 2FFM350    | 3500             |                      |      |      | 2710                | 4929                   | 1795             | 1341          |            |
| 2FFM375    | 3750             |                      |      |      | 2835                | 5179                   | 1920             | 1466          |            |
| 2FFM400    | 4000             |                      |      |      | 3010                | 5429                   | 2095             | 1641          |            |
| 2FFM425    | 4250             |                      |      |      | 3135                | 5679                   | 2220             | 1766          |            |
| 2FFM450    | 4500             |                      |      |      | 3260                | 5929                   | 2345             | 1891          |            |
| 2FFM475    | 4750             |                      |      |      | 4900                | 5900                   | 6800             | 3385          |            |
| 2FFM500    | 5000             | 4800                 | 5800 | 6800 | //                  | //                     | //               | //            | 6/6        |
| 2FFM550    | 5500             | 4500                 | 5500 | 6400 | //                  | //                     | //               | //            | 3/6        |
| 2FFM600    | 6000             | 4300                 | 5200 | 6100 | //                  | //                     | //               | //            | 3/6        |

3-Stage Full Free Mast

| Mast Model | Max. Lift Height | Load Capacity        |      |      | Overall Mast Height |                        | Free lift height |               | Mast Angle |
|------------|------------------|----------------------|------|------|---------------------|------------------------|------------------|---------------|------------|
|            |                  | 5T                   | 6T   | 7T   | 5-7T                |                        | 5-7T             |               | 5-7T       |
|            |                  | At Load Center 500mm |      |      | Lowered             | Extended With backrest | Without backrest | with backrest | Front/Rear |
|            | Mm               | Kg                   | kg   | Kg   | Mm                  | Mm                     | Mm               | Mm            | °          |
| 3FFM360    | 3600             | 4500                 | 5600 | 6000 | 2355                | 5029                   | 1445             | 986           | 6/6        |
| 3FFM400    | 4000             |                      |      |      | 2490                | 5429                   | 1575             | 1121          |            |
| 3FFM425    | 4250             |                      |      |      | 2555                | 5679                   | 1685             | 1186          |            |
| 3FFM425    | 4350             |                      |      |      | 2605                | 5779                   | 1691             | 1236          |            |
| 3FFM450    | 4500             |                      |      |      | 2655                | 5929                   | 1741             | 1286          |            |
| 3FFM480    | 4800             |                      |      |      | 2760                | 6229                   | 1845             | 1391          |            |
| 3FFM500    | 5000             | 2825                 | 6429 | 1915 | 1456                | 3/6                    |                  |               |            |
| 3FFM540    | 5400             | 4200                 | 5300 | 5500 | 2960                |                        | 6829             | 2045          | 1591       |
| 3FFM600    | 6000             | 4000                 | 5000 | 5300 | 3160                |                        | 7429             | 2245          | 1791       |
| 3FFM700    | 7000             | 3000                 | 3500 | 3700 | //                  |                        | //               | //            | //         |
| 3FFM800    | 8000             | 2000                 | 2200 | 2300 | //                  |                        | //               | //            | //         |

Note: All those data is the standard work data, and can be changed due to the work influence.

Optional Equipment and Accessories

- 3.0-6.0m duplex mast
- 2.5-6.0m full free duplex mast
- 3.6-8.0m full free triplex mast
- Special carriage and backrest
- Solid tire
- Cabin (heater and aircondition)
- Other dimension forks
- Other attachments

Specifications and design are subject to change without prior notice. Machines shown may include optional equipment.



L Series

Heavy Duty Diesel Forklift

ISO9001  
CE



- Rated capacity: 5.0T/6.0T/7.0T
- Special warning lights
- Strict environment protection design
- Reliable special designed instrument
- Scientific ergonomic application

SINOLIFT MATERIAL HANDLING EQUIPMENT CORP.

ADD: 618 Xile Road, Nanhui, Shanghai, China 201300

TEL: +86 21 68014500 /+86 21 58003681

FAX: +86 21 68014262 /+86 21 68038190

EMAIL: [info@sinolift.com](mailto:info@sinolift.com)

WEB: [www.sinolift.com](http://www.sinolift.com)





## 5.0/6.0/7.0T Heavy Duty Diesel Forklift Truck

- Strong pull results in a strong capacity of slope climbing: fully load 30% and empty load 20%.
- Locking device of neutral gear ensures that the machine is safer in repairing condition.
- Lay more stress on pursuing comfort of control. The distribution of working control, gearshift control and braking and parking system and so on with more humanization effectively increases the control space and maximally decreases tiredness of operators. For examples: The operator's seat can be adjusted top forwards, backwards, leftwards and rightwards, and steering wheel can be adjusted within the scope of front 24°- back 24°.
- Its low back horizon makes the operator's field of vision wider, which is more suitable for the working condition of frequent backing of the fork truck.
- More mature technologies used in loaders for more serious working conditions are applied in several controlling accessories so that the capacity is more dependable.
- The integral declining fuel tank differs totally from the same type of domestic fork trucks, which omits the hydraulic pressure pipeline, connection and declining fuel tank around the front connection board so that the machine is clean and tidy. Meanwhile, the damage probability of the connection and the declining fuel tank is reduced. Thus, the credibility of the overall machine is increased.
- The distribution of the control system is reasonable. The space is large and the driver's seat is regulable, which can maximally reduce tiredness of operation. The fluctuating declining steering wheel and the new type of linked multifunctional dashboard is an adequate embodiment of human being harmony with machines.
- The direct injection engine is allocated with advanced sorts of performance indexes, which is of low fuel consumption and is easy to start.
- More mature technologies used in loaders under more serious working conditions are applied in several controlling accessories to ensure more dependable performance.

### Features:

#### Comfortable, Safety, Powerful, Environment Protection

- Dynamical braking device with reliable performance and compact structure, more comfortable and portable pedal operation, alleviating the intensity of tiredness.
- Engine and transmission collocated with floating shock mitigating device, the elastic linked steering axle, the redirector provide low torsional moment, the semifloating bonnet with built-in heat and sound insulation, all of those ensure the comfort and safety.
- The design of fuel tank cover, not only for convenience of refueling but also keeping the truck body clean. Meanwhile, the engine has characteristic of low emission and pollution. Professional muffler design, seal kits for engine cover and radiator conver minimize noise.

#### Powerful Dynamical System

It adopts Japanese ISUZU 6BG1 direct-injection, six cylinder diesel engine and mature Chinese ZHAOCAI 6102 or WEIFANG R4105 diesel engine, with advanced structure, powerful notivity and excellent acceleration, low fuel consumption and hight reliability, suitable for the heavy conditions in the workplace, the efficiency is also improved by enhanced traction pull force, gradeability and lifting speed. also those engines can be started very quickly and outstanding in low temperature startup performance.

#### High rigid Chassis and Unique heavy industry structure part

Unibody construction helps hold the entire frame intact and rigid from and rigid from irregular driving surface. The numerical control cuts superiorly with the welding dislodgement machine welding strucural element nature,has a fine external appearance,distorts slightly, the strength of a weld is high.

#### Wide Eyesight Design and Wide View Mast

Wide operation room,conforming to ergonomics and adijustable seat, lets the operator not feel fatigued even after long period of working. The wide view mast gives the driver greater visibility to the front and increases the advantage of operation.

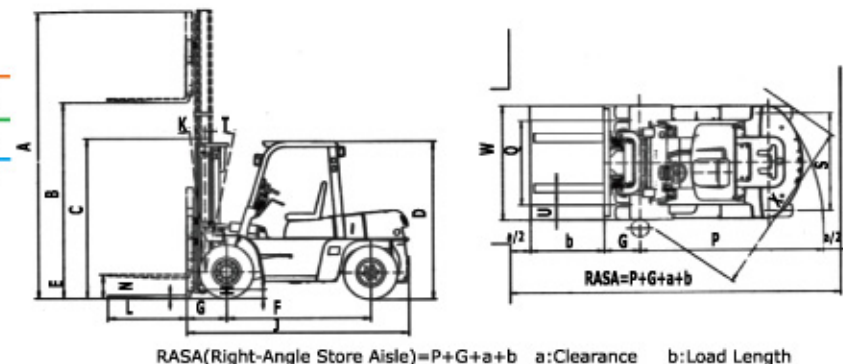
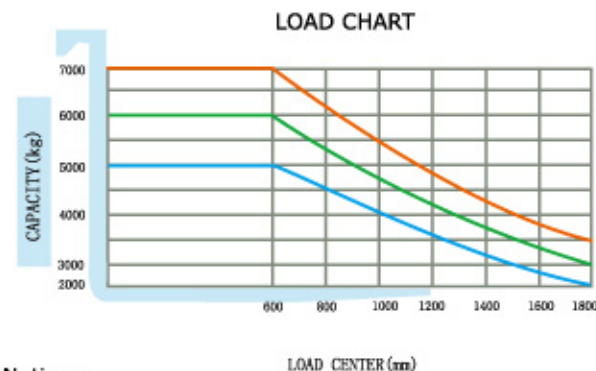
#### Non-Slip Floor and Step

The wide-open step is not only convinient to use but safer thanks to anti-slip mats. To further improve safety in demanding work conditions, the floor board is constructed of embossed steel to reduce of possibility of slipping.

## L Series 5.0T/6.0T/7.0T Heavy Duty Diesel Forklift Specifications

|                                      |                        | SINOLIFT             |             |                     |              |              |                                |              |                            |              |
|--------------------------------------|------------------------|----------------------|-------------|---------------------|--------------|--------------|--------------------------------|--------------|----------------------------|--------------|
| Generals                             |                        | CPCD50-WF            | CPCD60-WF   | CPCD50-CY           | CPCD60-CY    | CPCD70-CY    | CPCD50-W                       | CPCD60-W     | CPCD70-W                   |              |
| Manufacturer                         |                        | SINOLIFT             |             |                     |              |              |                                |              |                            |              |
| Model                                |                        | CPCD50-WF            | CPCD60-WF   | CPCD50-CY           | CPCD60-CY    | CPCD70-CY    | CPCD50-W                       | CPCD60-W     | CPCD70-W                   |              |
| Power type                           |                        | Diesel               | Diesel      | Diesel              | Diesel       | Diesel       | Diesel                         | Diesel       | Diesel                     |              |
| Rated capacity                       | kg                     | 5000                 | 6000        | 5000                | 6000         | 7000         | 5000                           | 6000         | 7000                       |              |
| Load center                          | mm                     | 600                  | 600         | 600                 | 600          | 600          | 600                            | 600          | 600                        |              |
| Lift height                          | mm                     | 3000                 | 3000        | 3000                | 3000         | 3000         | 3000                           | 3000         | 3000                       |              |
| Free lift height                     | E mm                   | 195                  | 195         | 195                 | 195          | 195          | 195                            | 195          | 195                        |              |
| Fork size                            | LxUxN mm               | 1220x150x60          | 1220x150x60 | 1220x150x60         | 1220x150x60  | 1220x150x65  | 1220x150x60                    | 1220x150x60  | 1220x150x65                |              |
| Fork outside spread Min./Max.        | mm                     | 300/1700             | 300/1700    | 300/1700            | 300/1700     | 300/1700     | 300/1700                       | 300/1700     | 300/1700                   |              |
| Mast tilt angle                      | K/T deg                | 6/12                 | 6/12        | 6/12                | 6/12         | 6/12         | 6/12                           | 6/12         | 6/12                       |              |
| Front overhang                       | G mm                   | 622                  | 622         | 622                 | 622          | 622          | 622                            | 622          | 622                        |              |
| Overall dimensions                   | Length to face of fork | J mm                 | 3472        | 3592                | 3472         | 3592         | 3472                           | 3592         | 3592                       |              |
|                                      | Overall width          | W mm                 | 1995        | 1995                | 1995         | 1995         | 1995                           | 1995         | 1995                       |              |
|                                      | Mast lowered height    | C mm                 | 2500        | 2500                | 2500         | 2500         | 2500                           | 2500         | 2500                       |              |
|                                      | Mast extended height   | A mm                 | 4419        | 4419                | 4419         | 4419         | 4419                           | 4419         | 4419                       |              |
|                                      | Overhead guard height  | D mm                 | 2420        | 2420                | 2420         | 2420         | 2420                           | 2420         | 2420                       |              |
| Turning radius                       | P mm                   | 3300                 | 3450        | 3300                | 3450         | 3450         | 3300                           | 3450         | 3450                       |              |
| Min. right angle aisle width         | X mm                   | 3000                 | 3090        | 3000                | 3090         | 3090         | 3000                           | 3090         | 3090                       |              |
| Performance                          | no load/full load      | Travel speed         | km/h        | 28/26               | 28/26        | 28/26        | 28/26                          | 28/26        | 28/26                      | 28/26        |
|                                      |                        | Lift speed           | mm/sec      | 460/330             | 460/330      | 500/370      | 500/330                        | 450/320      | 550/370                    | 550/330      |
|                                      | Max. gradeability      | %                    | 20          | 20                  | 20           | 20           | 20                             | 20           | 20                         | 20           |
| Self weight                          | kg                     | 8000                 | 8640        | 8340                | 8840         | 9350         | 8340                           | 8840         | 9350                       |              |
| Wheel & Tires                        | Tires                  | Front                |             | 8.25-15-14PR        | 8.25-15-14PR | 8.25-15-14PR | 8.25-15-14PR                   | 8.25-15-14PR | 8.25-15-14PR               | 8.25-15-14PR |
|                                      |                        | Rear                 |             | 8.25-15-14PR        | 8.25-15-14PR | 8.25-15-14PR | 8.25-15-14PR                   | 8.25-15-14PR | 8.25-15-14PR               | 8.25-15-14PR |
|                                      | Tread                  | Front                | Q mm        | 1470                | 1470         | 1470         | 1470                           | 1470         | 1470                       | 1470         |
|                                      |                        | Rear                 | S mm        | 1700                | 1700         | 1700         | 1700                           | 1700         | 1700                       | 1700         |
| Wheelbase                            | F MM                   | 2250                 | 2250        | 2250                | 2250         | 2250         | 2250                           | 2250         | 2250                       |              |
| Ground clearance (no load/full load) | H mm                   | 200                  | 200         | 200                 | 200          | 200          | 160                            | 160          | 160                        |              |
| Drive units & control                | Battery                | V/AH                 | 2*12/100    | 2*12/100            | 2*12/100     | 2*12/100     | 2*12/100                       | 2*12/100     | 2*12/100                   |              |
|                                      | Engine                 | Apply to truck model |             | CPCD50-WF/CPCD60-WF |              |              | CPCD50-CY/CPCD60-CY/CPCDF70-CY |              | CPCD50-W/CPCD60-W/CPCD70-W |              |
|                                      |                        | Model                |             | WEIFANG R4105G32    |              |              | ZHAOCAI 6102BG6                |              | JAPANESE ISUZU A-6BG1QC-02 |              |
|                                      |                        | Rated output         | kw/rpm      | 59/2400             |              |              | 80.9/2500                      |              | 82.3/2000                  |              |
|                                      |                        | Rated torque         | N.m/rpm     | 270/1600            |              |              | 353/1600                       |              | 416/1400-1600              |              |
|                                      |                        | No.of cylinder       |             | 4                   |              |              | 6                              |              | 6                          |              |
|                                      |                        | Borexstroke          | mm          | 105*125             |              |              | 102*118                        |              | 105*125                    |              |
|                                      |                        | Displacement         | cc          | 4.33                |              |              | 5.785                          |              | 6.494                      |              |
|                                      | Fuel tank capacity     | L                    | 120         |                     |              | 140          |                                | 140          |                            |              |
|                                      | Transmissions          | Type                 |             | Hydraulic           |              |              | Hydraulic                      |              | Hydraulic                  |              |
| Shift                                |                        | Front/rear           | 2/2         |                     |              | 2/2          |                                | 2/2          |                            |              |
| Operating pressure                   | Mpa                    | 17                   |             |                     | 17           |              | 17                             |              |                            |              |

- Special lifting height available.
- Attachment available.
- The specification in the table are for standard models only, All specifications indicated are subject to a variation of ± 15%, and may be further affected by operation conditions, optional fittings and accessories. Critical specification should be confirmed before placement of order. Specification are subject to change without notice, for further information ,please contact us.



#### Notice:

Vertical axle stands for load capacity while horizontal axle stands for load center,load center is the distance counted from the front of the fork,The base point of the standard load is the center point of the cubic with the same 1000mm dimension in length,width and height,The load capacity should be down,if mask fits forward,using non-standard forks or loading goods with extra width,Please the different load capacity between different load centers according to load chart.