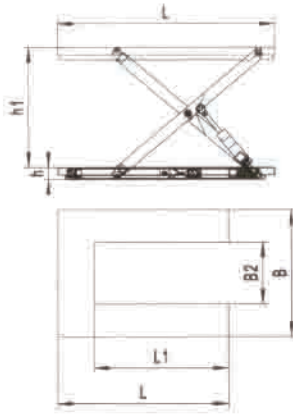




Electric Lift Table *HIW Series*

- Made of high quality steel and is designed to be durable, reliable and easy-to-use.
- Electric controlling system is imported from Europe.
- with compact structure and gives a balanced lifting and lowering.
- Conforms to EN1570 and BSEN60204-1.



Model		HIW1.0	HIW2.0	HIW4.0	HIW3.0	HIW2.0-G
Capacity	kg	500	1000	2000	3000	2000
Lowered Height	h	mm	190	190	190	190
Raised Height	h1	mm	1010	1010	1010	1010
Platform Size	LxB	mm	1300x800	1300x800	1300x800	1300x800
Lifting Time	sec		15	25	40	26
Lifting speed with load	mm/s		55	40	22	30
lowering speed with load	mm/s		40	35	33	40
Motor	KW		0.75	0.75	0.75	1.5
Net Weight	kg		160	220	280	320

Large Lift Table *HW-L & HW-D Series*

- Large platform for special size materials.
- Meet EN1570 norm and ANSI/ASME safety standard.
- High quality power unit made in Europe.
- Power supply: 380V/50HZ/3phase or 220V/50HZ/1phase.



HW500L ↑



HW2000D ↑

Standard Safety Features:

- Upper platform lifted with aluminum safety bar preventing descent on contact with obstructions.
- Low-tention(24V) control box with up-down buttons.
- Internal power pack equipped with relief valve against overloading, and compensated flow valve for controlled lowering speed.
- Heavy duty cylinders with drainage system and check valve to stop the lift table lowering in case of hose burst.
- Safety clearance between scissors to prevent trapping during operation.

Other Standard Features:

- Self lubricating bushings on pivot points.
- Removable lifting eye to facilitate handling and lift table installation.
- High quality AC power packs are made in Europe.

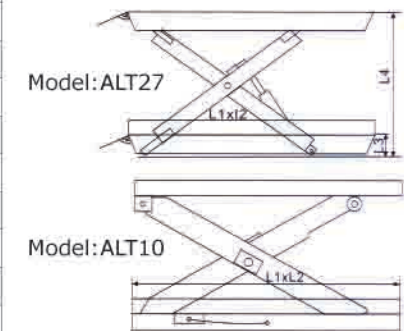
Model		HW500L	HW2000D	HW4000D
Capacity	kg	500	2000	4000
Lowered Height	mm	200	205	230
Raised Height	mm	1000	1000	1000
Platform Size	LxM	kg	800x2000(standard)	2500x820
Net Weight(standard)			193	265

Truck Loading Table *ALT Series*

- Designed for heavy duty applications solving problems throughout industry(as part of a production process, for machine feeding or stacking etc.)
- Load applied: partially concentrated.
- Top platform smooth surface with platforms.
- Tandem acting hydraulic cylinders with drainage.
- Upper limit switch.
- Self lubricating bushings on pivot points.
- Hydraulic power pack inside the table provided with relief valve against overloading and compensated flow valve for controlled lowering speed.
- Meet USA and European provisional standards.



Model		ALT27	ALT10	ALT20
Capacity	kg	2700	1000	2000
Max. lift height	L4	mm	1700	1080
Min. height of table	L3	mm	220	165
Lifting height		mm	1480	915
Table size	L1 x L2	mm	2445x1830x195	1220x610x70
Motor power	kw	3	1.5	1.5
Input voltage	V	220/380	220/380	220/380
Lifting speed	S	40	12	25
Lowering speed	mm/s	<150	<150	<150



Truck Loading Table *DLT Series*

- Economic range for loading and unloading goods, with stacker or hand pallet truck.
- Lever transfer from any dock height to any truck height.
- Removable lifting eye to facilitate handling and loading table installation.
- Heavy duty design.
- No ramps or inclines.
- Meet EN 1570 norm and ANS/ASME safety standard.



Model		DLT25	
Capacity	kg	2500	
Lowered height	mm	130	
Raised height	mm	1700	
Platform size	LxW	mm	2000x2600
Base frame size	mm	1900x2510	
Lift speed	sec	60-70	
Power Pack	kw	380/50Hz, AC 2.2Kw	
Net weight	kg	1700	

