

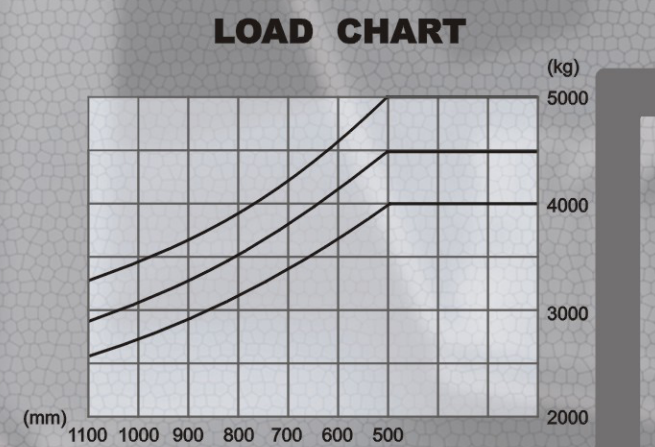
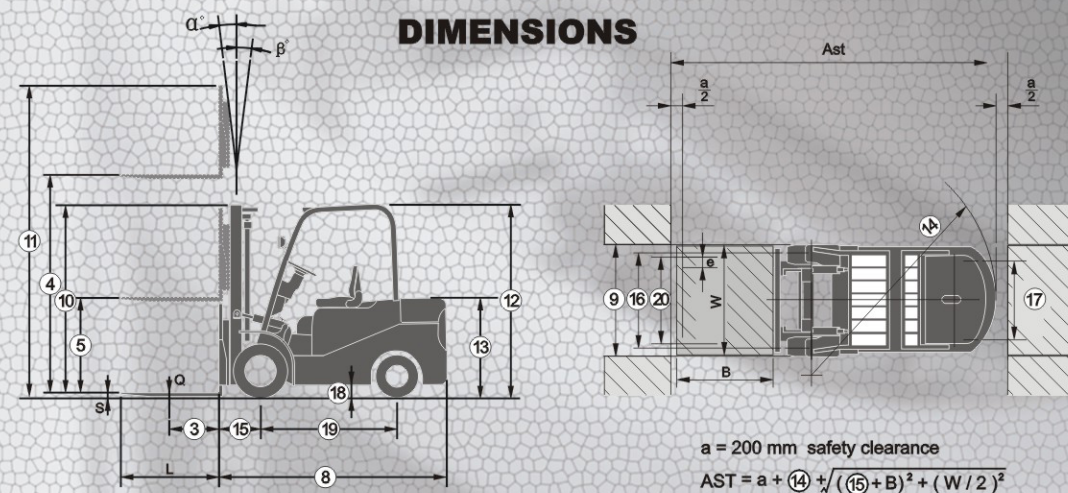




### 4.0-5.0t J Serial Electric Forklift Specification

No.	Manufacturer		CPD40J D1	CPD45J D1	CPD50J D1
1	Model		CPD40J D1	CPD45J D1	CPD50J D1
2	Rated capacity	Kg	4000	4500	5000
3	Load centre	mm	500	500	500
4	Lifting height	mm	3000	3000	3000
5	Free lifting height	mm	150	150	150
6	Fork size	s × e × l	50 × 150 × 1070	55 × 150 × 1070	55 × 150 × 1070
7	Tilting angle	F/B (α° / β°)	6 / 12	6 / 12	6 / 12
8	Overall Dimension	Length (to fork face)	3015	3015	3015
9		Width	1380	1380	1380
10		Height when mast lowered	2185	2185	2185
11		Height when mast lifting	4117	4117	4117
12		Height to safeguard	2280	2280	2280
13		Height seat	1185	1185	1185
14	Turning radius	Min.	2650	2650	2650
15	Overhang		550	550	550
16/17	Thread(Front/Rear)		1130 / 1100	1130 / 1100	1130 / 1100
18	Ground clearance	Min.	219	219	219
19	Wheelbase		2000	2000	2000
20	Fork spread	Min. / Max.	310 / 1200	310 / 1200	310 / 1200
21	Working aisle width	1000 × 1200 crossways	4516	4516	4516
22	with pallet (Ast)	800 × 1200 lengthways	4615	4615	4615
23	Speed	Travel (Laden)	14	13.5	13
24		Travel (Unladen)	14	13.5	13.5
25		Lifting (Laden)	270	250	250
26	Gradeability	Lifting (Unladen)	430	420	400
27		Laden	14.5	14	13
28		Unladen	15.5	15	14
29	Max. Drawbar pull	Laden(S2 5min)	24000	26000	27000
30	Service weight	Include battery box	6600	6800	7100
31	Axle Loading (Front / Rear)	Laden	9440 / 1160	9950 / 1350	10635 / 1315
32		Unladen	3960 / 2640	3950 / 2850	3475 / 3475
33	Tyre	Front × 2	250 / 15	250 / 15	250 / 15
34		Rear × 2	7.00 - 12	7.00 - 12	7.00 - 12
35	Motor	Driven motor / S 60min	16.6	16.6	16.6
36		Pump motor / S 15min	25.4	25.4	25.4
37	Battery	Standard	V/Ah 80 / 700	80 / 700	80 / 700
38		Optional	/	/	/
39	Controller	Type	MOSFET	MOSFET	MOSFET
40		Drive system	AC	AC	AC
41		Manufacturer	Danaher	Danaher	Danaher
42	Operating pressure for attachment		Mpa 17.5	17.5	17.5
43	Noise level		dB(A) 74	75	76

Ast\*: Include Safety Clearance = 200mm



### 4.0 t J series mast

Type	Mast fork height	Lowered	Overall height		Free lift		Tilt range		Capacity	
			With backrest	Without backrest	With backrest	Without backrest	F	R	Load capacity at 500 mm	
	mm	mm	mm	mm	mm	mm	Deg	Deg	Single tire	Double tire
STD. Duplex	2500	1935	3670	3270	150	150	6	11	4000	4000
	2700	2035	3870	3470	150	150	6	11	4000	4000
	3000	2185	4170	3770	150	150	6	11	4000	4000
	3300	2335	4470	4070	150	150	6	11	4000	4000
	3500	2435	4670	4270	150	150	6	11	4000	4000
	3600	2485	4770	4370	150	150	6	11	4000	4000
	4000	2735	5170	4770	150	150	6	11	3800	4000
	4300	2900	5470	5070	150	150	6	6	3600	3800
	4500	3010	5670	5270	150	150	6	6	3400	3600
	4800	3175	5970	5570	150	150	6	6	3000	3200
Full Free Lift	5000	3285	6170	5770	150	150	6	6	2800	3000
	2500	1916	3670	3305	750	1115	6	11	4000	4000
	2750	2040	3920	3555	873	1238	6	11	4000	4000
	3000	2166	4170	3805	1000	1365	6	11	4000	4000
Triplex	3300	2316	4470	4105	1150	1515	6	11	4000	4000
	4000	2020	5170	4805	850	1218	6	11	4000	4000
	4300	2120	5470	5105	950	1318	6	6	3400	3600
	4500	2185	5670	5305	1018	1380	6	6	3200	3400
	4800	2280	5970	5605	1110	1478	6	6	3000	3200
	5000	2350	6170	5805	1180	1548	6	6	2800	3000
	5500	2515	6670	6305	1348	1710	3	6	2250	2800
	6000	2730	7170	6805	1560	1928	3	6	1700	2600

### 4.5 t J series mast

Type	Mast fork height	Lowered	Overall height		Free lift		Tilt range		Capacity	
			With backrest	Without backrest	With backrest	Without backrest	F	R	Load capacity at 500 mm	
	mm	mm	mm	mm	mm	mm	Deg	Deg	4.5t	4.5t
STD. Duplex	2500	1935	3670	3270	150	150	6	11	4500	4500
	2700	2035	3870	3470	150	150	6	11	4500	4500
	3000	2185	4170	3770	150	150	6	11	4500	4500
	3300	2335	4470	4070	150	150	6	11	4500	4500
	3500	2435	4670	4270	150	150	6	11	4500	4500
	3600	2485	4770	4370	150	150	6	11	4500	4500
	4000	2735	5170	4770	150	150	6	11	4250	4500
	4300	2900	5470	5070	150	150	6	6	4000	4250
	4500	3010	5670	5270	150	150	6	6	3800	4050
	4800	3175	5970	5570	150	150	6	6	3350	3600
Full Free Lift	5000	3285	6170	5770	150	150	6	6	3150	3400
	2500	1916	3670	3305	750	1115	6	11	4500	4500
	2750	2040	3920	3555	873	1238	6	11	4500	4500
	3000	2166	4170	3805	1000	1365	6	11	4500	4500
Triplex	3300	2316	4470	4105	1150	1515	6	11	4500	4500
	4000	2020	5170	4805	850	1218	6	11	4500	4500
	4300	2120	5470	5105	950	1318	6	6	3800	4050
	4500	2185	5670	5305	1018	1380	6	6	3600	3850
	4800	2280	5970	5605	1110	1478	6	6	3350	3600
	5000	2350	6170	5805	1180	1548	6	6	3150	3400
	5500	2515	6670	6305	1348	1710	3	6	2550	3100
	6000	2730	7170	6805	1560	1928	3	6	1950	2800

### 5.0 t J series mast

Type	Mast fork height	Lowered	Overall height		Free lift		Tilt range		Capacity	
			With backrest	Without backrest	With backrest	Without backrest	F	R	Load capacity at 500 mm	
	mm	mm	mm	mm	mm	mm	Deg	Deg	5.0t	5.0t
STD. Duplex	2500	1935	3670	3270	150	150	6	11	5000	5000
	2700	2035	3870	3470	150	150	6	11	5000	5000
	3000	2185	4170	3770	150	150	6	11	5000	5000
	3300	2335	4470	4070	150	150	6	11	5000	5000
	3500	2435	4670	4270	150	150	6	11	5000	5000
	3600	2485	4770	4370	150	150	6	11	5000	5000
	4000	2735	5170	4770	150	150	6	11	4750	5000
	4300	2900	5470	5070	150	150	6	6	4500	4750
	4500	3010	5670	5270	150	150	6	6	4250	4500
	4800	3175	5970	5570	150	150	6	6	3750	4000
Full Free Lift	5000	3285	6170	5770	150	150	6	6	3500	3750
	2500	1916	3670	3305	750	1115	6	11	5000	5000
	2750	2040	3920	3555	873	1238	6	11	5000	5000
	3000	2166	4170	3805	1000	1365	6	11	5000	5000
Triplex	3300	2316	4470	4105	1150	1515	6	11	5000	5000
	4000	2020	5170	4805	850	1218	6	11	4750	5000
	4300	2120	5470	5105	950	1318	6	6	4200	4500
	4500	2185	5670	5305	1018	1380	6	6	4000	4250
	4800	2280	5970	5605	1110	1478	6	6	3750	4000
	5000	2350	6170	5805	1180	1548	6	6	3500	3750
	5500	2515	6670	6305	1348	1710	3	6	2850	3350
	6000	2730	7170	6805	1560	1928	3	6	2200	2950





## J series Electric Forklift 4.0-5.0T

CPD40JD1,CPD45JD1,CPD50JD1

### INTRODUCTION

The distinctive features of the new 4-5t/8800-11000lb J series electric four-wheel forklift as follows:

- Versatility of use due to compact design and minimal operating space requirements. Compact dimensions combined with superb maneuverability.
- High stability, both when stationary and cornering, due to long wheelbase, low centre of gravity and wide tyres.
- Economy of operation, resulting from minimized maintenance costs, e.g. fully enclosed 3 phase AC asynchronous motors with high degree of efficiency maintenance free life.



1



2



3



4



5



6



7

