



Porta Power Jack *KT Series*

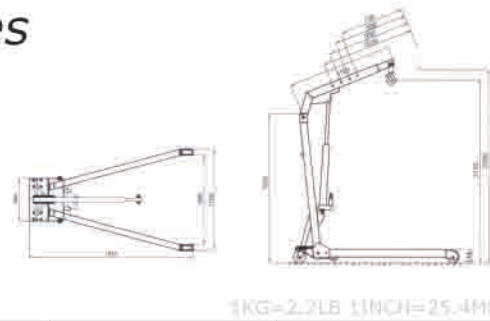
- To work quickly with combined.
- Two-stage piston.
- Include:
Hand pump, Hose, Cylinder ram, Spreader ram, rubber head, Rubber faced flat base, 90° V-base, Serrates saddle, Male thread adapter, Assorted extension tubes.



Model	Lifting Capacity	Min. Ram Height	Ram Lifting Height	Net Weight	Gross Weight	Quantity Case	Measurement	Quantity 1x20"
KT402	0.5 ton	330 mm	120 mm	18 kg	20 kg	1 pcs	63x36.5x17.5 cm	780 pcs
KT1002	1.0 ton	460 mm	130 mm	31 kg	34 kg	1 pcs	78x43x17 cm	570 pcs
KT1003	1.0 ton	460 mm	130 mm	31 kg	35 kg	1 pcs	95x40x19 cm	400 pcs

Foldable Shop Crane *PDJ Series*

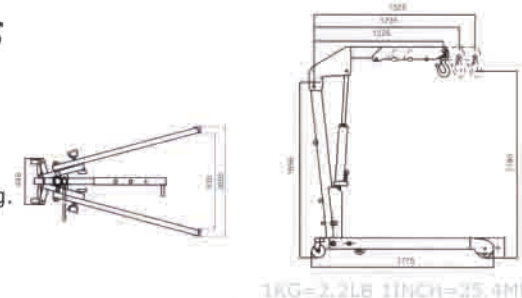
- New design with quick lifting.
- Larger capacity with three adjustable positions.
- Forged heavy duty swivel hook.
- Swivel operating handle; optional manipulating position.



Model		PDJ05	PDJ10
Lifting capacity	kg	200-500	250-1000
Beam length	mm	1160-1460	1160-1460
Beam length	mm	2120	2350
Base height	mm	1126x1650	1126x1650
Power unit	ton	7	7
N.W.	kg	85	115

Folble Shop Crane *NDJ Series*

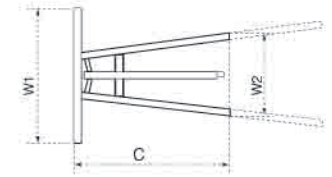
- Quick-lifting by double action pump.
- Chrome-plated pistons avoid rust and abrasion during the using.
- With overload Safety Valve.
- Use-best steel to make it strong enough.
- Use professional design to ensure the easure the easiest pushing & pulling.



Model		NDJ10
Lifting capacity (beam extended-closed)	kg	700x1000
Beam length (closed-extended)	mm	1225x1525
Beam height (closed-extended)	mm	0x1790
Base size	mm	1065x1775
Power unit (long ram jack)	Ton	8
N.W./G.W.	kg	137.6

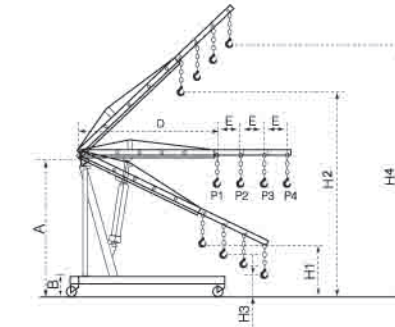
Shop Crane *SP Series*

- Four hook position. Smooth, quite operation.
- Hard chrome rams and pump piston.
- Full swivel hook with safety clip fitted as standard.
- Controlled lowering with positive stop. Overload valve.
- Top of stroke by-pass prevents hydraulics locking at full height if overpumped. jacks from folded to upright position.



SP-F Foldable ↑

SP Stationary ↑



Model		SP500F	SP1000F	SP2000F	SP1000	SP2000
Foldable			Yes		No	
Capacity	kg	500	1000	2000	1000	2000
Capacity at position	P1	500	1000	2000	1000	2000
	P2	400	750	1500	750	1500
	P3	250	500	1000	500	1000
	P4	150	250	500	250	500
A	mm	1403	1650	1403	1650	1350
B	mm	200	170	200	170	185
C	mm	1710	1680	1710	1680	1620-2320
D	mm	900	1160	900	1160	1270
E	mm	180	95	180	95	225
W1	mm	810	500	810	500	945-1340
W2	mm	1015	1070	1015	1070	800-960
H1	mm	345	550	345	550	185
H2	mm	1820	1785	1820	1785	1945
H3	mm	//	180	//	180	485
H4	mm	2240	1845	2240	1845	2410
Net Weight	kg	75	96	95	76	113

Shop Crane *SP3000 Series*

- Smooth, quite operation.
- Hard chrome rams and pump piston.
- Controlled lowering with positive stop.
- Overload valve.
- Top of stroke by-pass prevents hydraulics locking at full height if overpumped.
- Full swivel hook with safety clip fitted as standard.

HEAVY DUTY DESIGN



SP3000 ↑

Model		SP3000
Capacity	Ton	3
Working Range	mm	1200-1830
Lifting Range	mm	0-2200
Packing Size	mm	1# 1330x860x110
	mm	2# 1460x330x200
	mm	3# 730x210x150
N.W.:	kg	35/86/18
G.W.:	kg	37/90/19
Qty"/20"CY	pcs	110